

DIGITAL  
PROJECTOR

# MX662

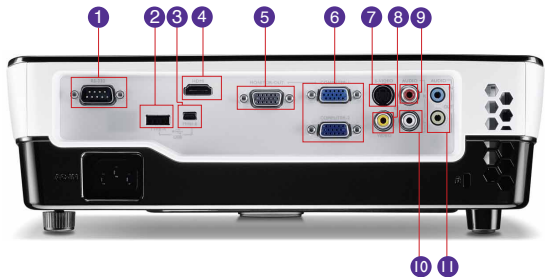


## Features

- Native XGA Resolution (1024x768)
- 3500 ANSI Lumens; 13,000:1 Contrast Ratio
- SmartEco™ Power Saving Technology
- Instant Restart, Various 3D Format Support
- Wireless display with Qpresenter App



## Input and Output Terminals



- |                   |                            |
|-------------------|----------------------------|
| 1 RS232 (DB-9pin) | 7 S-Video (Mini DIN 4-pin) |
| 2 USB (Type A)    | 8 Composite Video          |
| 3 USB (Mini-B)    | 9 Audio L/R in (RCA)       |
| 4 HDMI (x1)       | 10 Audio in (Mini Jack)    |
| 5 Monitor out     | 11 Audio out (Mini Jack)   |
| 6 Computer in     |                            |

## Specifications

Projection System	DLP®
Native Resolution	XGA(1024 x 768)
Brightness	3500 ANSI lumens
Contrast Ratio	13000:1
Display Color	1.07 Billion Colors
Lens	F=2.56-2.8, f=21-23.1mm
Aspect Ratio	Native 4:3 (5 aspect ratio selectable)
Throw Ratio	1.86 - 2.04 (53"@2m)
Image Size Diagonal	40"-300"
Zoom Ratio	1.1:1
Lamp Type	240W
Lamp Life*	3500/5000/6000 hours (Normal/Eco/SmartEco Mode)
Keystone Adjustment	1D, Vertical +/- 40 degrees
Projection Offset	120% ±5%
Resolution Support	VGA(640 x 480) to UXGA(1600 x 1200)
Horizontal Frequency	31K~102KHz
Vertical Scan Rate	23~120Hz
Compatibility	HDTV Compatibility: 480i, 480p, 576i, 576p, 720p, 1080i, 1080p Video Compatibility: NTSC, PAL, SECAM
Interface	Computer in (D-sub 15pin) x 2 (Share with component) Monitor out (D-sub 15pin) x 1 HDMI x 1 Composite Video in (RCA) x 1 S-Video in (Mini DIN 4pin) x 1 Audio in (Mini Jack) x 1 Audio L/R in (RCA) x 1 Audio out (Mini Jack) x 1 Speaker 2W x 1 USB (Type A) x 1 (USB Reader & Wireless Display) USB (Type mini B) x 1 (Download & UBS display) RS232 (DB-9pin) x 1 IR Receiver x2 (Front+Top)
Dimensions (WxHxD)	12.3" x 4.09" x 9.6" (312 x 104 x 244 mm)
Weight	6.06 lbs (2.75 kg)
Power Supply	AC 100 to 240 V, 50/60 Hz
Power Consumption	375W, Standby<0.5W
Audible Noise	33/30 dBA (Normal/Economic mode)
On-Screen Display Languages	Arabic/Bulgarian/ Croatian/ Czech/ Danish/ Dutch/ English/ Finnish/ French/ German/ Greek/ Hindi/ Hungarian/ Italian/ Indonesian/ Japanese/ Korean/ Norwegian/ Polish/ Portuguese/ Romanian/ Russian/ Simplified Chinese/Spanish/ Swedish/ Turkish/ Thai/ Traditional Chinese (28 Languages)
Picture Mode	Dynamic/Presentation/sRGB/Cinema/User 1/User 2
Accessories (Standard)	Remote Control w/ Battery, Power Cord, User Manual CD, Quick Start Guide, Warranty Card, VGA (D-sub 15 pin) Cable
Accessories (Optional)	Spare Lamp Kit P/N: 5J.J6E05.001 Ceiling Mount P/N: 5J.J4N10.001 3D Glasses P/N: 5J.J7K25.001 Carry bag P/N: 5J.J3T09.001
UPC Code	8400460-2472-7
Limited Warranty	1 year parts & labor; 1 year or 2000 hours of lamp life

\*Lamp life results will vary depending on environmental conditions and usage. Actual product's features and specifications are subject to change without notice.



MX662 12-11-12-BQus



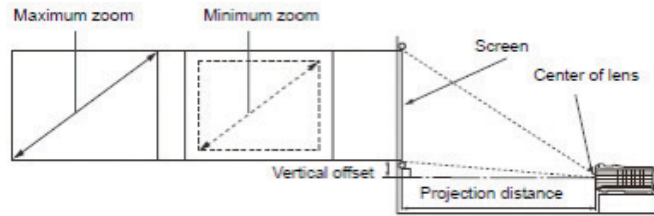
BenQ America Corp.  
15375 Barranca Parkway, Suite A-205, Irvine, CA 92618 ☎ Tel: (949) 255-9500 🌐 www.BenQ.us

BenQ is a registered trademark of BenQ Corp. DLP® is a registered trademark of Texas Instruments. All rights reserved.  
Product names, logos, brands, and other trademarks featured or referred to in this materials are the property of their respective trademark holders.  
Specifications subject to change without notice.



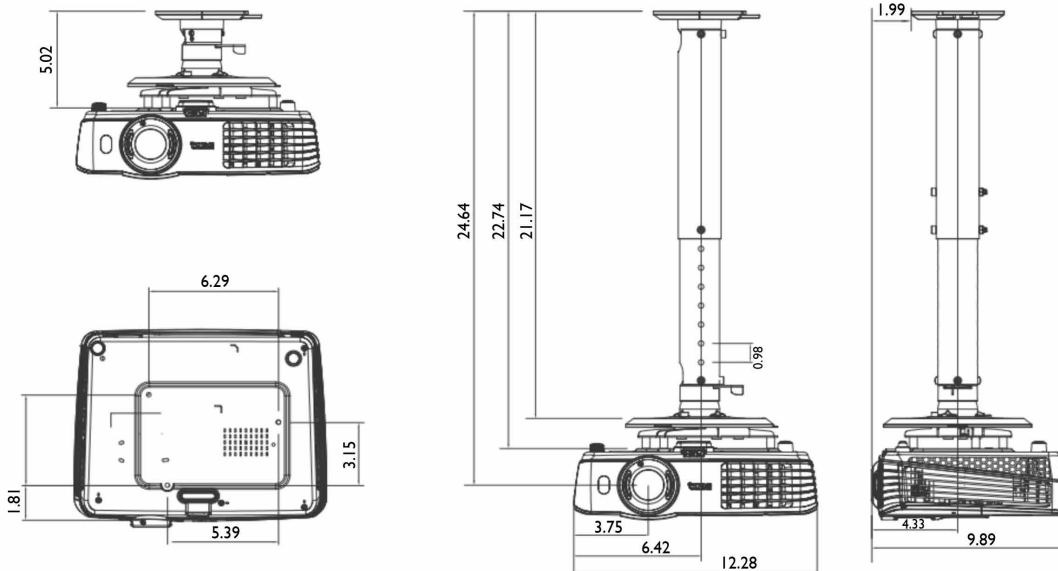
# MX662 Digital Projector

## Distance Chart



Screen Size				Distance from screen (inch)			Vertical offset (in)
Diagonal		W (in)	H (in)	Min length (Max zoom)	Average	Min length Max zoom	
Inch	mm						
40	1016	32	24	59.40	62.40	65.35	2.40
50	1270	40	30	74.29	78.00	81.69	2.99
60	1524	48	36	89.13	93.58	98.07	3.58
80	2032	64	48	118.86	124.80	130.75	4.80
100	2540	80	60	148.58	155.98	163.43	5.98
120	3048	96	72	178.27	187.20	196.10	7.20
150	3810	120	90	222.83	233.98	245.12	9.02
200	5080	160	120	297.13	312.01	326.85	12.01
220	5588	176	132	326.85	343.19	359.53	13.19
250	6350	200	150	371.42	390.00	408.54	15.00
300	7620	240	180	445.71	467.99	490.28	17.99

## Ceiling Mount Chart



Units: inch

## Dimensions

